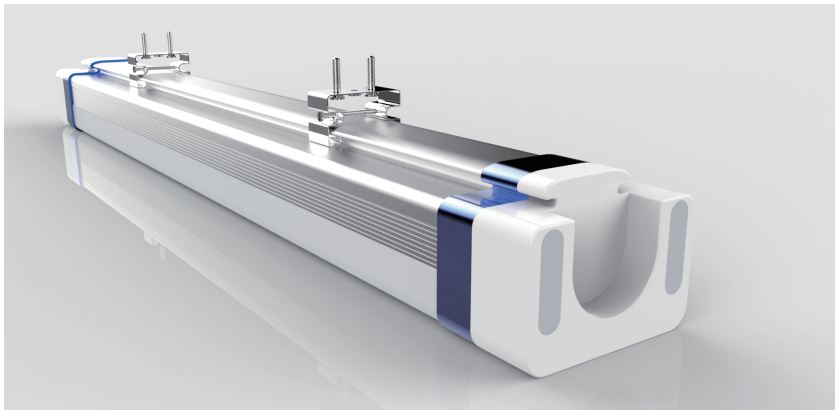




ALPHA Manual



■ Matters needing attention

- Before installing the lighting fixtures, please read this instruction manual carefully.
- The lighting fixtures should be installed, connected and tested by a certified installer based on the local regulations.
- Lamps should always be installed or replaced with care.
- Please check the local voltage in accordance with the product requirements before using the product.
- Relamping only can be done when the power is off and the lamp is completely cooled down.
- When a lamp is to be cleaned, make the power off and let it cool down completely. Clean the fixture with a soft cloth and a standard PH neutral detergent. Stainless steel finishing should be maintained regularly.
- Misuse of, or changes to the fixture shall nullify the guarantee.
- Don't cover the fixtures with flammable materials.
- Exclusively replaced by the manufacturer or his service agent or the similar qualified person in order to avoid a hazard.



Temperature Characteristics T-ambient 25°C

Temperature

Operating -20~+40 °C

Storage -40~+85 °C

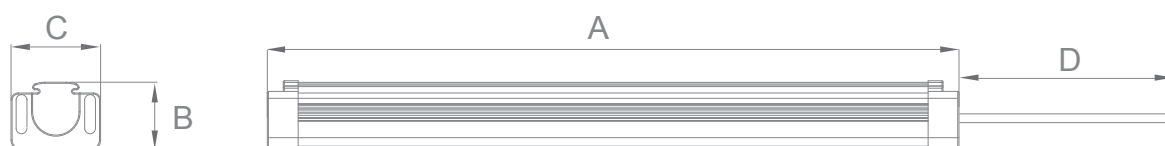
Electrical Characteristics

Input Voltage: AC100~277V 50/60Hz

PF: ≥ 0.93 THD < 20%

Power Efficiency: ≥ 0.87

1. Product Dimension

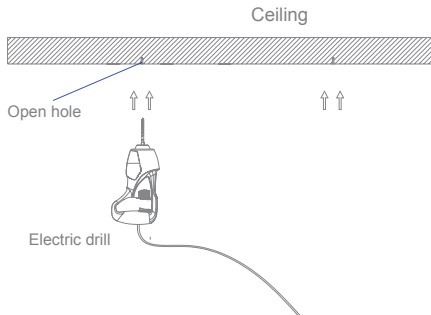


Model NO.	Size A(mm)	Size B(mm)	Size C(mm)	Size D(mm)
ALPHA 600mm	600	83	63	1000
ALPHA 900mm	900	83	63	1000
ALPHA 1200mm	1200	83	63	1000
ALPHA 1500mm	1500	83	63	1000

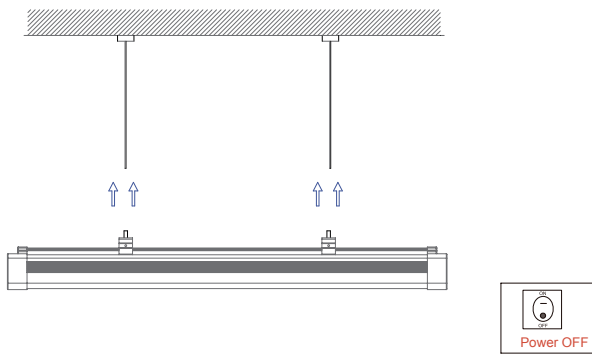


2. Installation

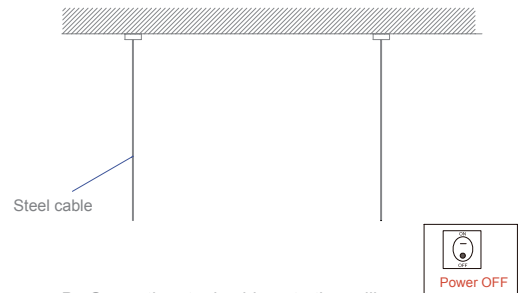
A. Suspending



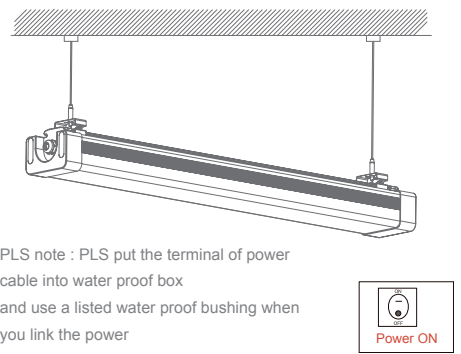
A : Make a right position and screw hole



C : Hung the fixture under the steel cable and secure the fixture by steel cable



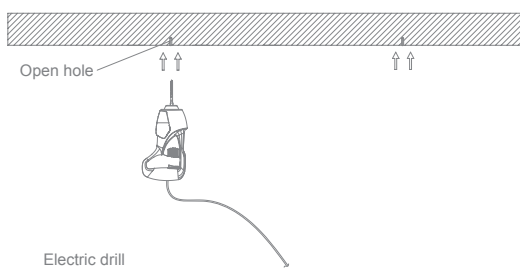
B : Screw the steel cable onto the ceiling



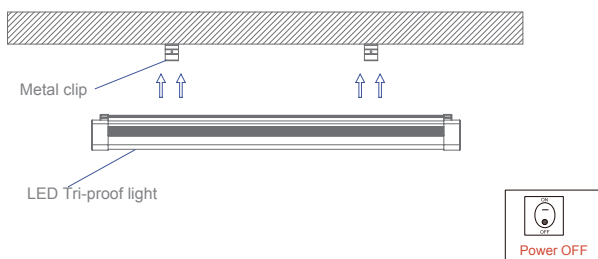
PLS note : PLS put the terminal of power cable into water proof box and use a listed water proof bushing when you link the power

D: Adjust the position of the fixture and clean it..

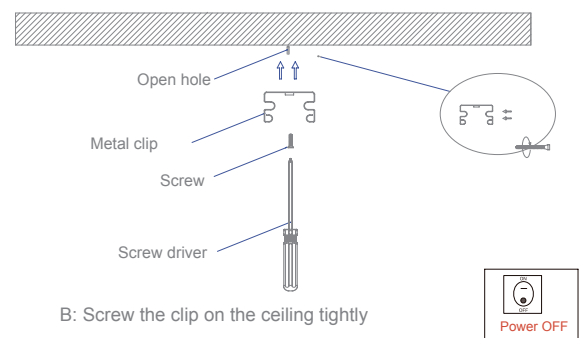
B. Ceiling Mounted



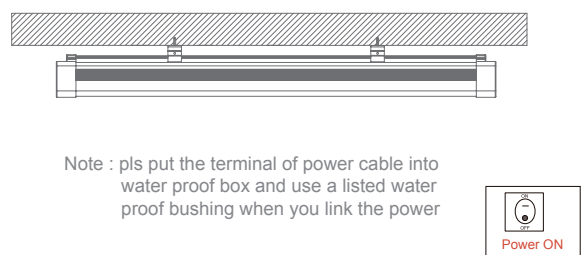
A: Make a right position and screw hole



C: Install the lamp into the clips.



B: Screw the clip on the ceiling tightly

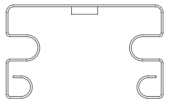


Note : pls put the terminal of power cable into water proof box and use a listed water proof bushing when you link the power

D: Adjust the position of the fixture and clean it..



■ Pls note : Above installation“ B” belongs to our standard installation, if you want to choose our way of “A” installation then you need to select our optional accessories and pay.



Metal Card

One package two pcs



steel cable

One package two pcs

Standard accessories

Optional accessories